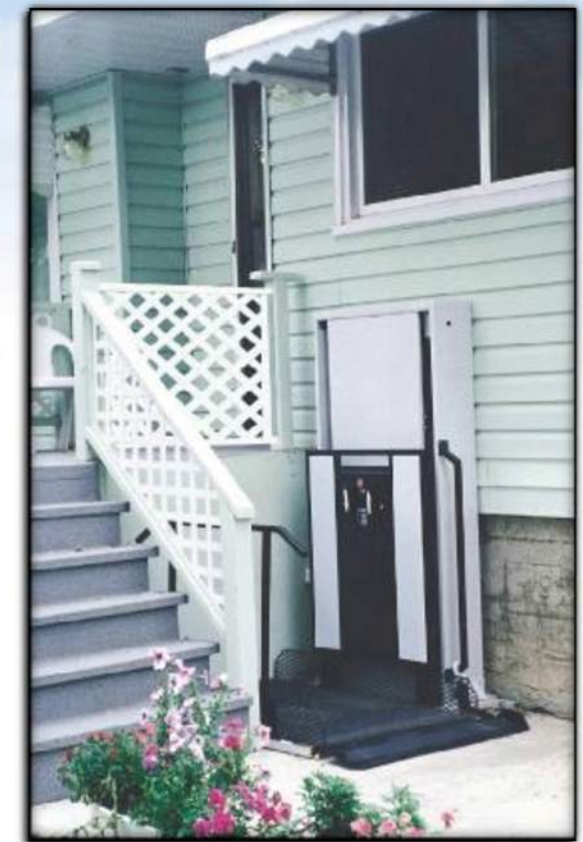




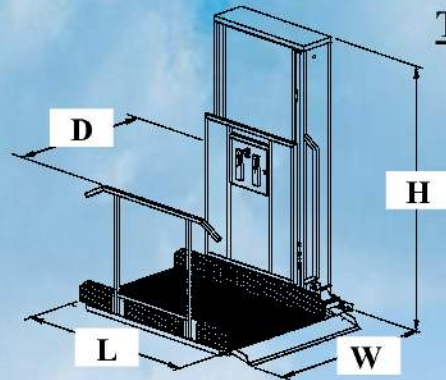
**Engineered for
your Independence**

Vertical Platform Lifts
by RAM Manufacturing Ltd.



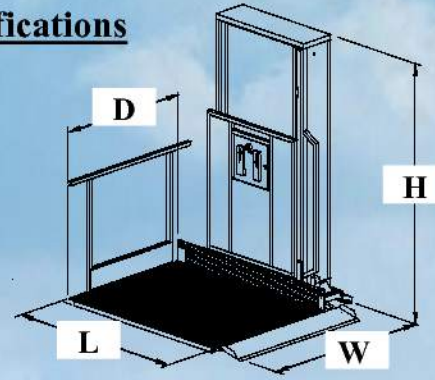
Affordable, Reliable, Safe

Technical Specifications



STRAIGHT THROUGH ACCESS

L - Deck Length - 54"
D - Deck Width - 34"
W - Total Width - 48"



ADJACENT ACCESS

L - Deck Length - 54"
D - Deck Width - 40"
W - Total Width - 54"

H - Tower Height

28" Lifting Height	48"
52" Lifting Height	72"
72" Lifting Height	92"
96" Lifting Height	118"
120" Lifting Height	142"
144" Lifting Height	166"

Features

- Constant pressure Soft Touch control pads
- 550 lb capacity
- 8 feet/minute lift speed
- Direct worm gear/acme screw drive
- Non-load bearing back-up safety nut
- Low maintenance
- Expanded metal platform with full under platform visibility and non skid surface
- Pre wired - plug 110V/15A wall outlet

- 8" positive action, reversible toe plate for universal access
- Emergency manual operation
- Control box accessible from carriage
- Quick and easy set-up and adjustment
- Durable powder coat finish
- Extreme weather resistant design
- U.L. and C.S.A. Certified
- Easy to assemble modular components

- Smooth, Quiet Electric drive
- Engineered for Year-Round Operation
- Manual Operation for power outages
- Access controller from platform
- 550 Lb. Capacity
- Side-Mounted Assist Bar
- Soft-touch Control Pads
- Non-Skid Deck
- Anti Skid Traction Pads
- U.L. and C.S.A. Certified
- Positive action folding toe plate secures user and provides a ramp for easy exit and entry

U.S. Patent No. 5,901,812 - CDN Patent 2,203,204

Available Options

- Under platform safety plate
- Carriage gate
- Remote call stations
- Landing gates
- Door mount interlocks
- Solid hand rail
- Solid end wall
- Fully operational 12V DC battery backup
- Lifting heights from 28" to 12 feet of travel
- 18" extra wide toe plate
- Portable model

RAM MANUFACTURING LTD.
Commercial & Residential Lifts
(800) 563 - 4382
www.trustram.com

Printed in Canada

The Quality You Want



Independent mobility is your connection to the rest of the world. It allows you to remain active, improving your quality of life. It's your personal freedom, and that is important to us. Safety, comfort and convenience were **Trus<T>Lift's** #1 design considerations.

Affordable, Safe, Reliable



TRUS LIFT



Designed to Last

Trus<T>Lift can be fully customized to suit any application (See distributors for details).



Trus<T>Lift's smooth and quiet performance makes this light weight, dependable and versatile unit perfect for any residential or commercial application.

Need a portable lift? Ideal for Churches, Schools, Stage Access, Restaurants and more.

Features

- Lifting heights from 28" to 144"
- Innovative Soft Touch Control Pads for ease of operation
- All Weather Design



- Full range of options to meet any application

- Direct drive Worm-Gear / Screw-Nut Drive for low maintenance operation, incorporating zero load start for cold weather climates
- Expanded Metal Platform allows full under platform visibility
- Keyed Operation to control use of lift
- Custom Finishes • Custom Platforms

These are only a few of **Trus<T>Lift's** unique features that make it the **best lift on the market today.**

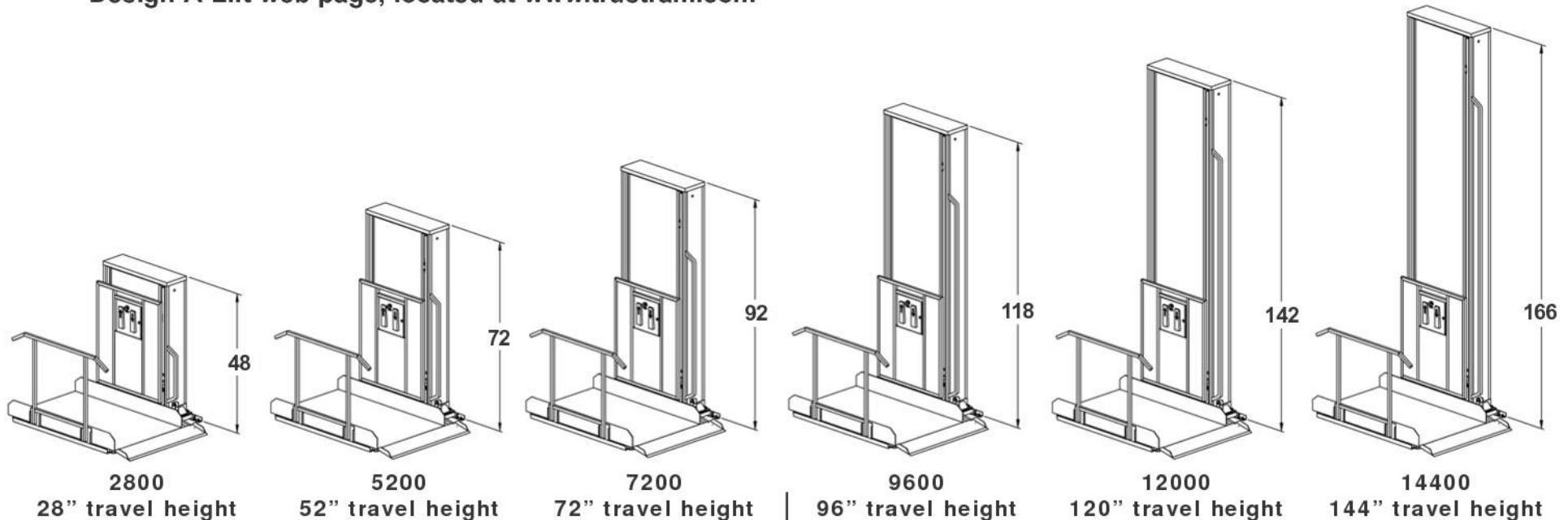
Think BIG

Ideal for large residential projects and a wide variety of commercial applications

1-800-563-4382 for more information

Design and order your Trus<T>Lift 24 hours a day on our Design-A-Lift web page, located at www.trustram.com

Trus<T>Lift's big boys extend the maximum travel heights to 8, 10 and 12 feet



THE BIG BOYS ARE HERE



Lifts up to 12'

Trus<T>Lift Tower of Power

The one DC Power Backup to rule them all!

RAM Manufacturing brings you **The Ultimate Back Up Power** for your Trus<T>Lift. Our New Tower of Power DC Backup is a Powerful 12 volt system designed to keep your vertical platform lift running. Our extremely **Reliable Inverter Technology** provides you with Full Uninterrupted Lift Operation when you need it.

Never worry about power outages again!

**Now you can convert any
Trus<T>Lift to DC Power.**

No modifications required.

Order your TOWER of POWER Today.

1-800-563-4382 www.trustram.com



**Easily Convert
any AC
Trus<T>Lift**

**Up to
40 Lift Cycles
per Charge**

**Built in
Safety Feature
Protects Batteries**

**For your Trus<T>Lift
by the people
who made your
Trus<T>Lift.**

