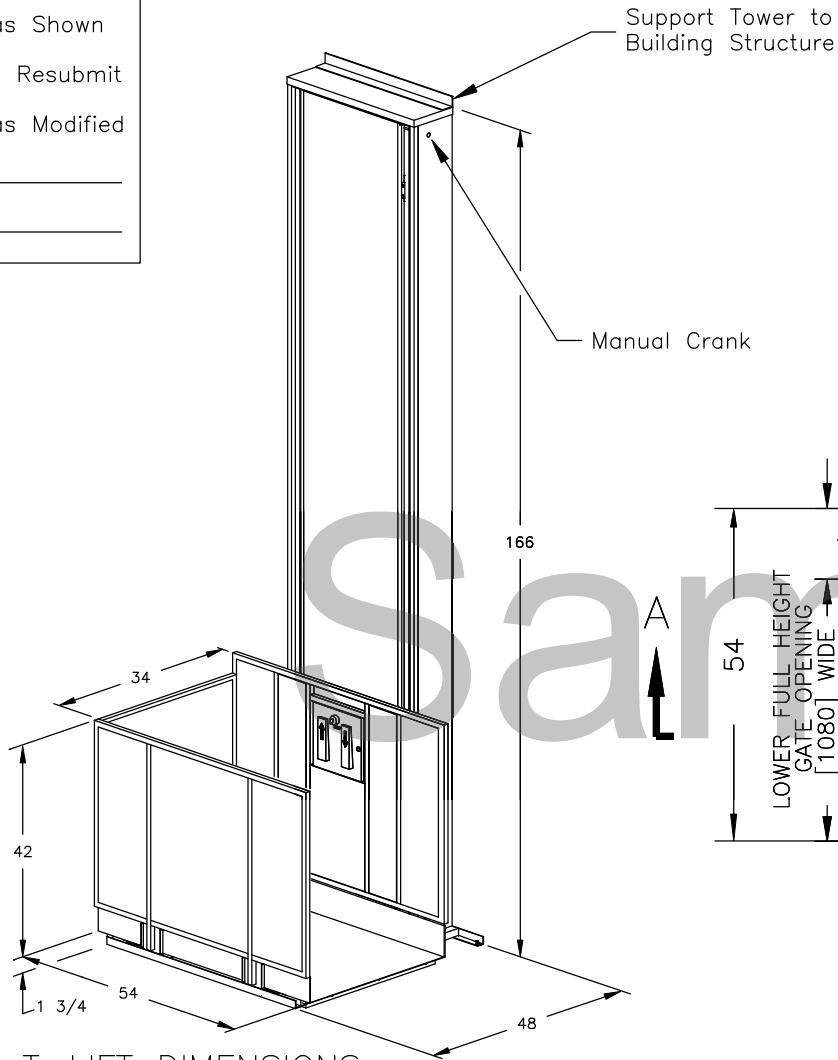
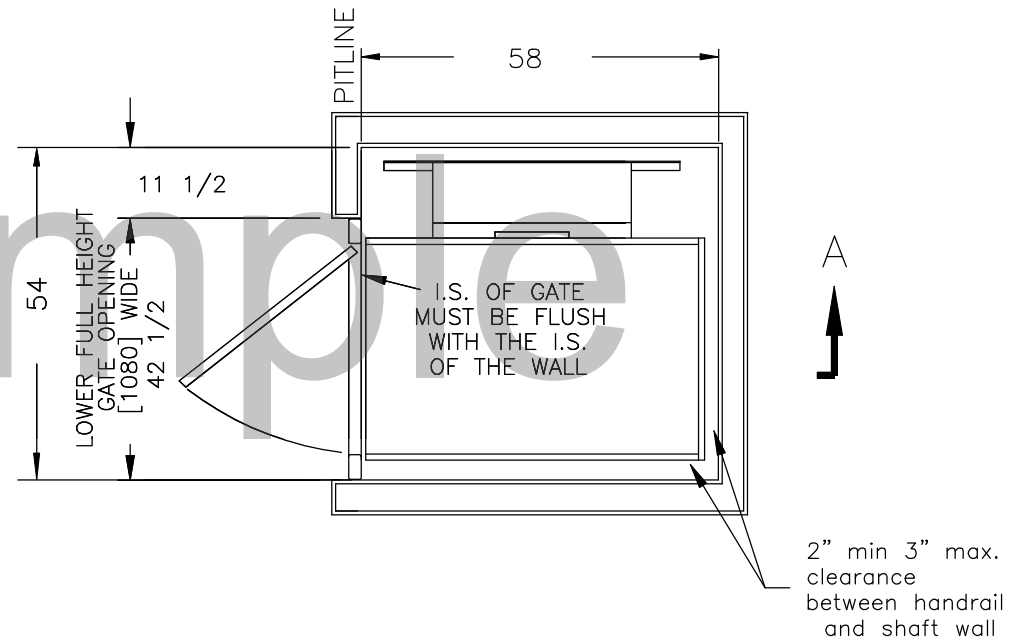


Accepted as Shown  
 Revise and Resubmit  
 Accepted as Modified  
 Date: \_\_\_\_\_  
 Per: \_\_\_\_\_



**SPECIFICATIONS:**

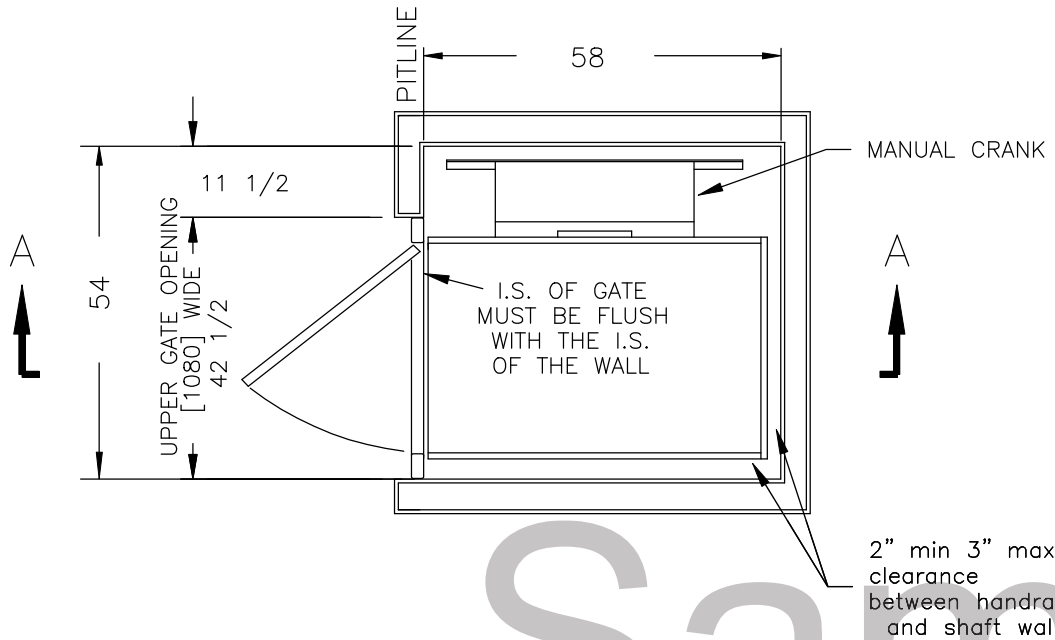
- 34" x 54" LIFT PLATFORM
- 48" x 54" FOOTPRINT
- 166" HEIGHT
- 0" - 144" LIFT RANGE
- MAXIMUM LOAD 550 lbs.
- 8 FEET/MINUTE LIFT SPEED
- SCREW NUT WORM GEAR DRIVE
- MOTOR: 1/2 H.P. 110V A.C.
- POWER SUPPLY: 110V/1PH/60HZ C/W 15A FUSED DISCON.
- NON-LOAD BEARING BACKUP SAFETY NUT ON LIFT SHAFT
- SAFETY HANDRAIL ON CARRIAGE
- ZERO-LOAD START IN BOTTOM POSITION
- SOLID DECK



PLAN VIEW SECTION - LOWER FLOOR DOOR

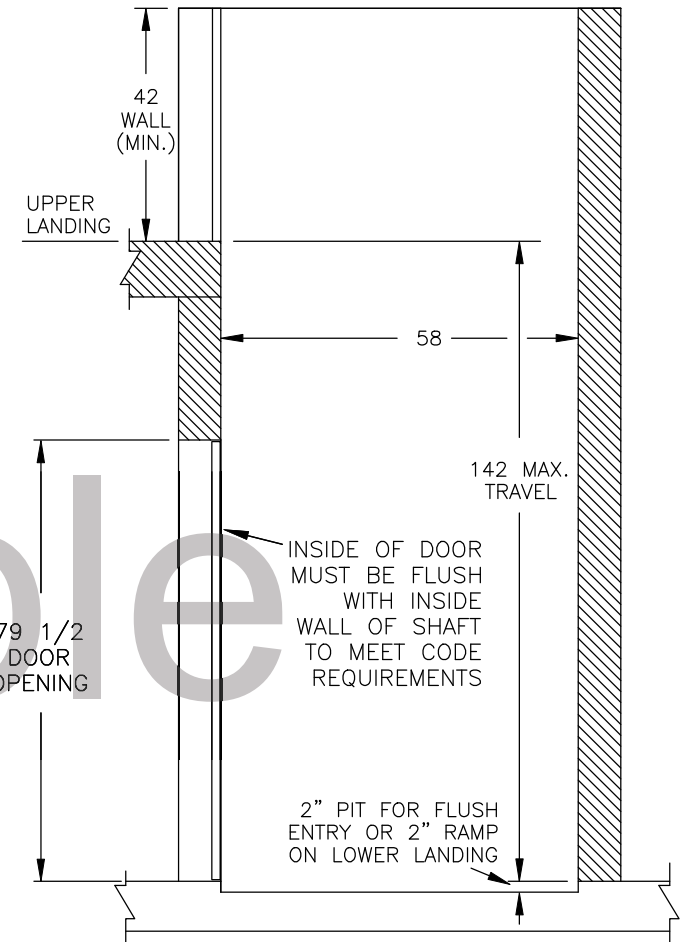
TOTAL TRAVEL	144 INCHES	No. OF LANDINGS	2
LOCATION	ENCLOSED TRUS<T>LIFT SAMPLE DRAWING		
ARCHITECT			
GENERAL CONTRACTOR			

<b>TRUS-T-LIFT</b>						
DWN. BY:	TRUS-T-LIFT ELEVATOR INSTALLATION DETAILS					
B.H.						
CHECKED BY:						
SCALE:	N.T.S.	DATE:	20/Sep/06	DRAWING No.	144UCLEGNP	1/2



PLAN VIEW SECTION – TOP FLOOR GATE

NOTES:  
 - Dimensions are in inches  
 -



SECTION A-A

TOTAL TRAVEL	144 INCHES	No. OF LANDINGS	2
LOCATION	ENCLOSED TRUS-T-LIFT SAMPLE DRAWING		
ARCHITECT			
GENERAL CONTRACTOR			

<b>TRUS-T-LIFT</b>			
DWN. BY: B.H.		TRUS-T-LIFT ELEVATOR INSTALLATION DETAILS	
CHECKED BY:			
SCALE: N.T.S.	DATE: 20/Sep/06	DRAWING No. 144UCLEGDNP	2/2