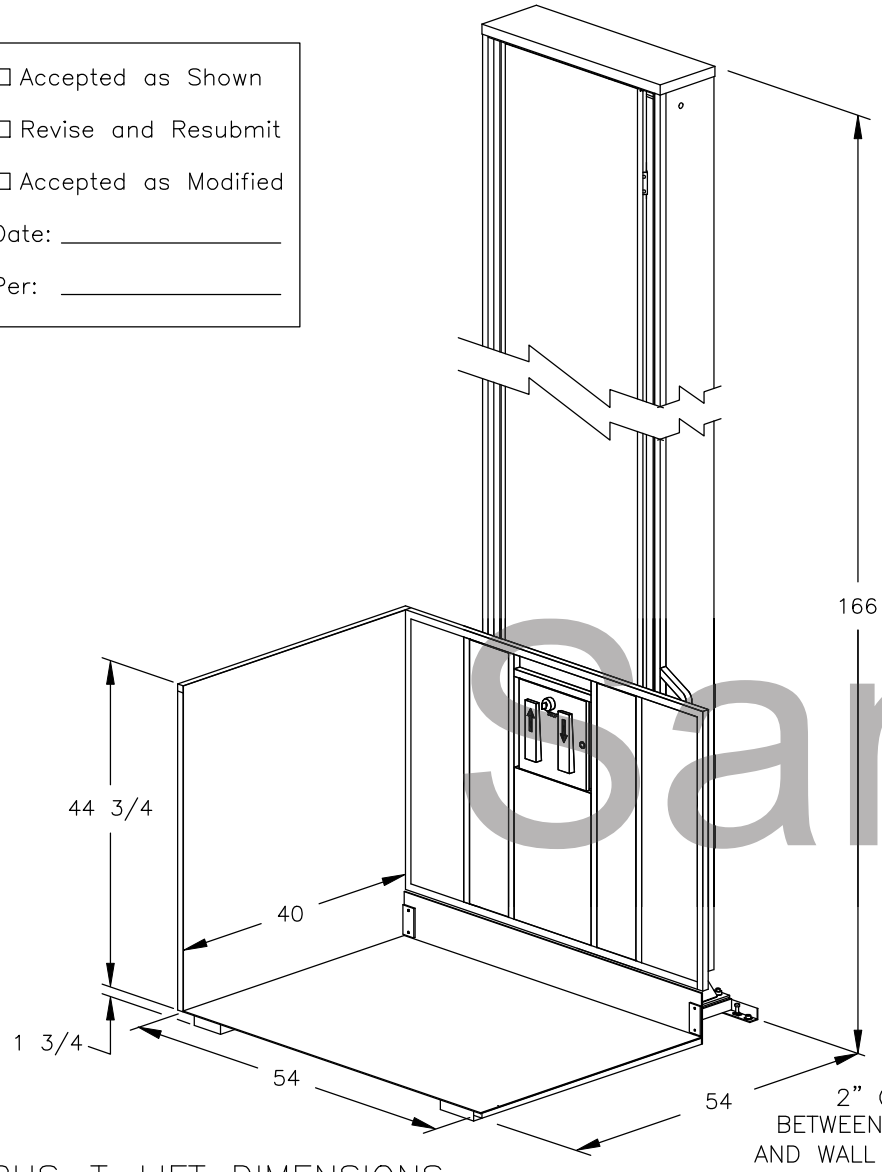


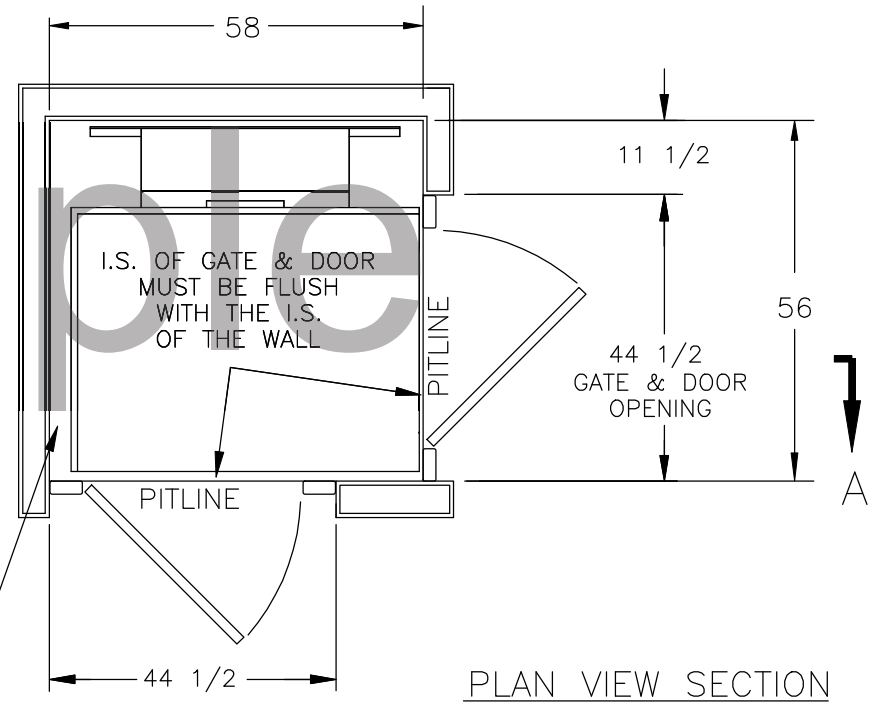
Accepted as Shown
 Revise and Resubmit
 Accepted as Modified
 Date: _____
 Per: _____

SPECIFICATIONS:

- 40" x 54" LIFT PLATFORM
- 54" x 54" FOOTPRINT
- 166" TOWER HEIGHT
- 0" - 144" LIFT RANGE
- MAXIMUM LOAD 550 lbs.
- 8 FEET/MINUTE LIFT SPEED
- SCREW NUT WORM GEAR DRIVE
- MOTOR: 1/2 H.P. 110V A.C.
- POWER SUPPLY: 110V/1PH/60HZ C/W 15A FUSED DISCON.
- NON-LOAD BEARING BACKUP SAFETY NUT ON LIFT SHAFT
- SAFETY HANDRAIL ON CARRIAGE
- ZERO-LOAD START IN BOTTOM POSITION
- SOLID PLATFORM



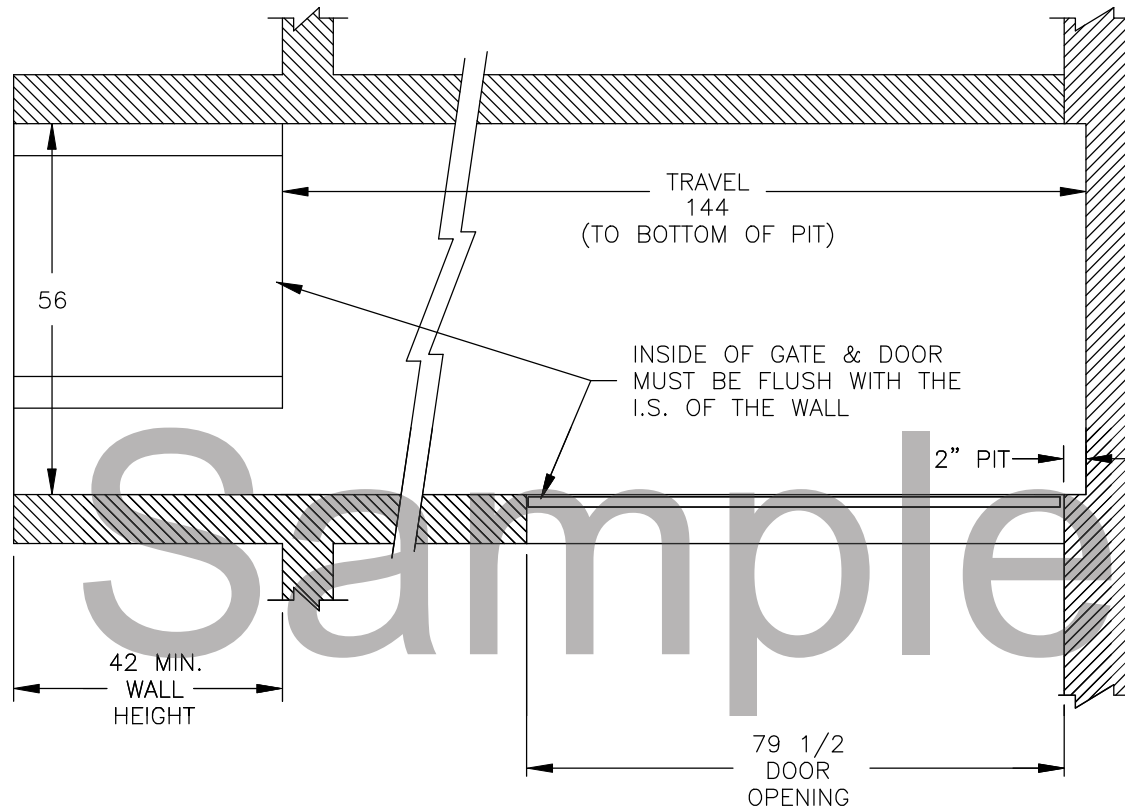
TRUS-T-LIFT DIMENSIONS



PLAN VIEW SECTION

TOTAL TRAVEL	144 INCHES	No. OF LANDINGS	2
LOCATION	ENCLOSED TRUS<T>LIFT ADJACENT ACCESS SAMPLE DRAWING		
ARCHITECT			
GENERAL CONTRACTOR			

TRUS T LIFT							
DWN. BY:	TRUS-T-LIFT ELEVATOR INSTALLATION DETAILS						
B.H.							
CHECKED BY:							
SCALE:	N.T.S.	DATE:	19/02/04	DRAWING No.	144UCREGDNAP 1/2	REV	



NOTES:
- Dimensions are in inches
-

SECTION A-A

TOTAL TRAVEL	144	INCHES	No. OF LANDINGS	2	TRUS-T-LIFT						
LOCATION	ENCLOSED TRUS-T-LIFT ADJACENT ACCESS SAMPLE DRAWING									DWN. BY:	TRUS-T-LIFT ELEVATOR INSTALLATION DETAILS
ARCHITECT					B.H.						
GENERAL CONTRACTOR					CHECKED BY:						
					SCALE:	N.T.S.	DATE:	19/02/04	DRAWING No.	144UCREGDNAP 2/2	REV